

1-1-2016

Digital Fabrication of an Aerosol Impactor

Stefan Vincent

Concordia University - Portland

Follow this and additional works at: http://commons.cu-portland.edu/suri_msd



Part of the [Environmental Chemistry Commons](#)

Recommended Citation

Vincent, Stefan, "Digital Fabrication of an Aerosol Impactor" (2016). *Math & Science Department (SURI)*. 26.
http://commons.cu-portland.edu/suri_msd/26

This Presentation is brought to you for free and open access by the Summer Undergraduate Research Institute (SURI) at CU Commons. It has been accepted for inclusion in Math & Science Department (SURI) by an authorized administrator of CU Commons. For more information, please contact libraryadmin@cu-portland.edu.



Digital Fabrication of an Aerosol Impactor

SURI 2016

Stefan Vincent

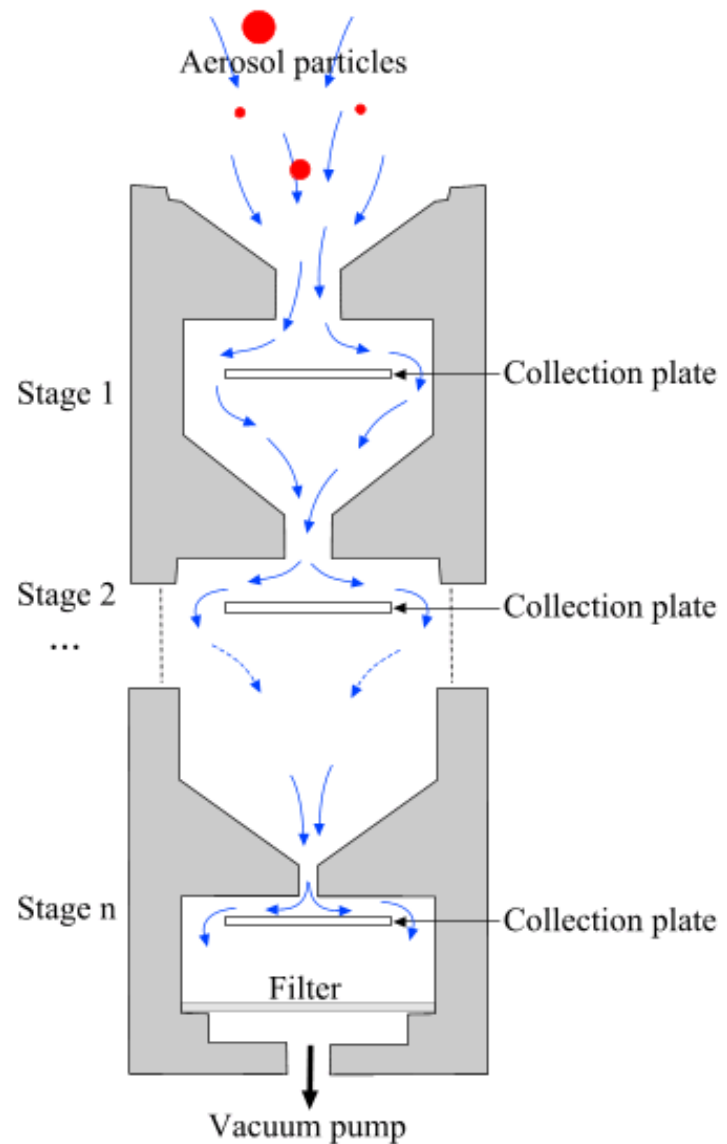


Particles

- $PM_{2.5}$; $PM_{1.0}$
 - Anything smaller than $2.5\mu m$
 - (1 micrometer (μm) = 1 millionth of a meter)
- Significance?
 - Small enough to bypass the upper respiratory system

Particle Collection

- Aerosol Impactor
 - >>>>>>>>



Cascade Impactors





Design

- Utilized AutoCAD (CAD = Computer Assisted Design)
 - Many similar programs used in various CAD classes



Previous Experience

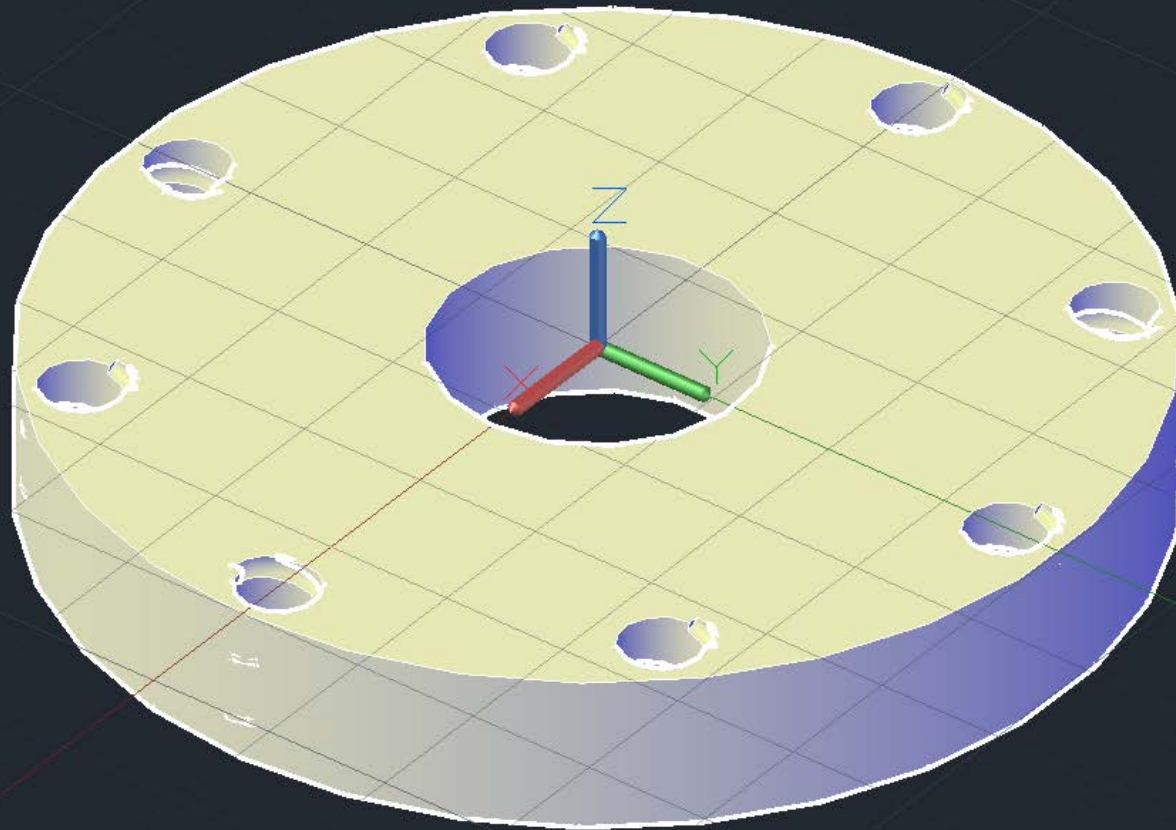
- No experience with any CAD programs
- Not exactly what you would call “computer savvy”

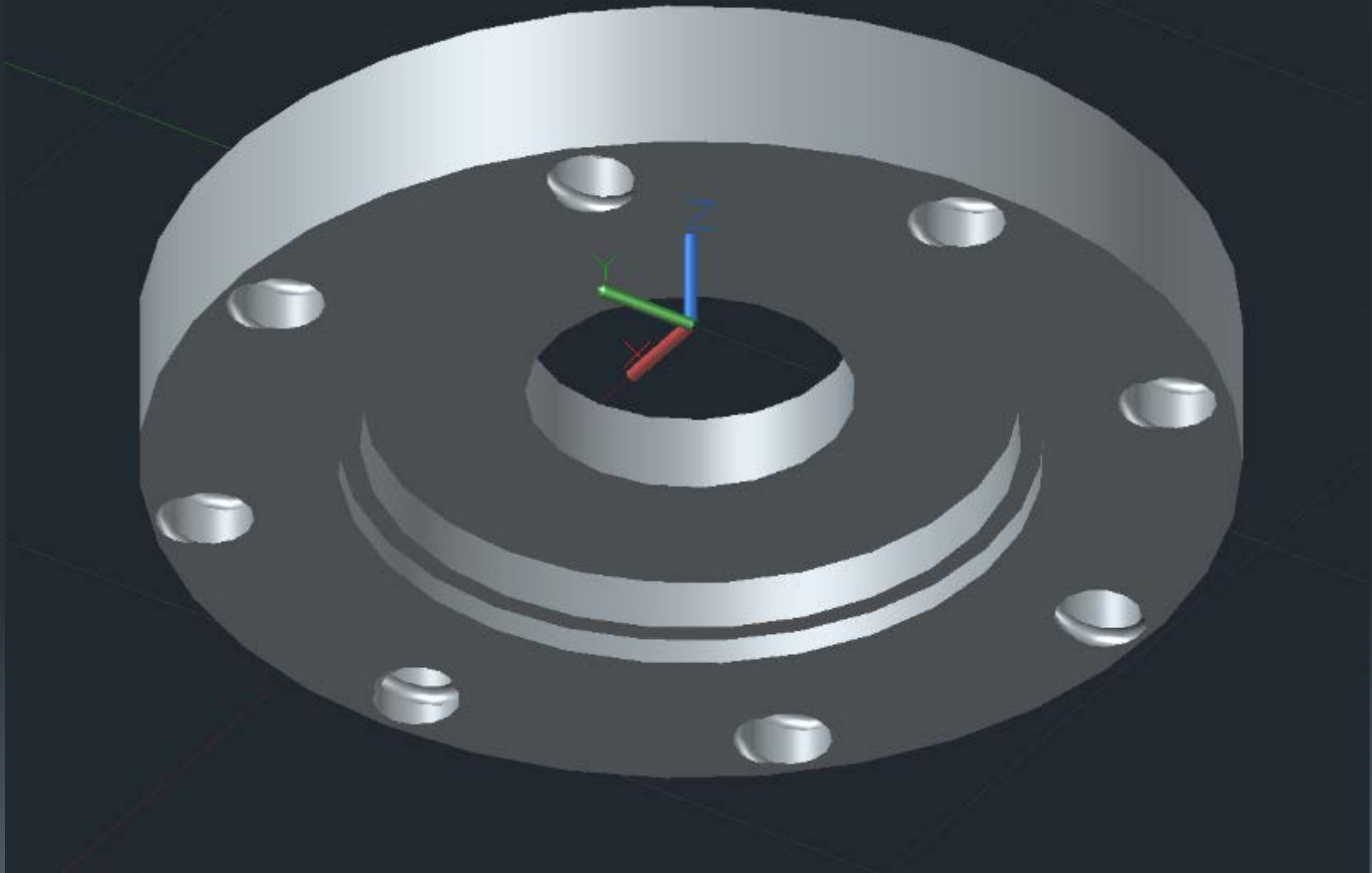


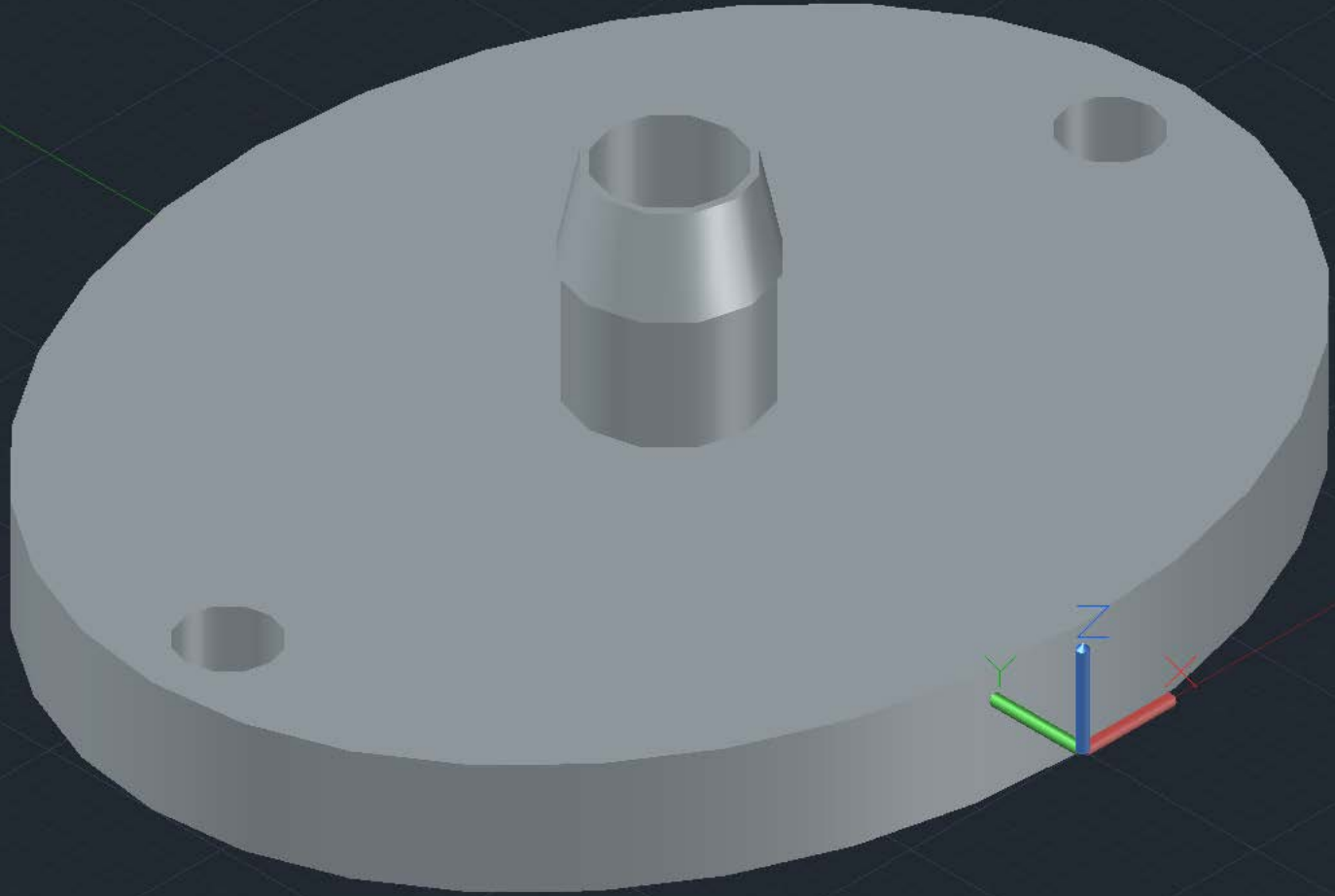
Learning the Basics

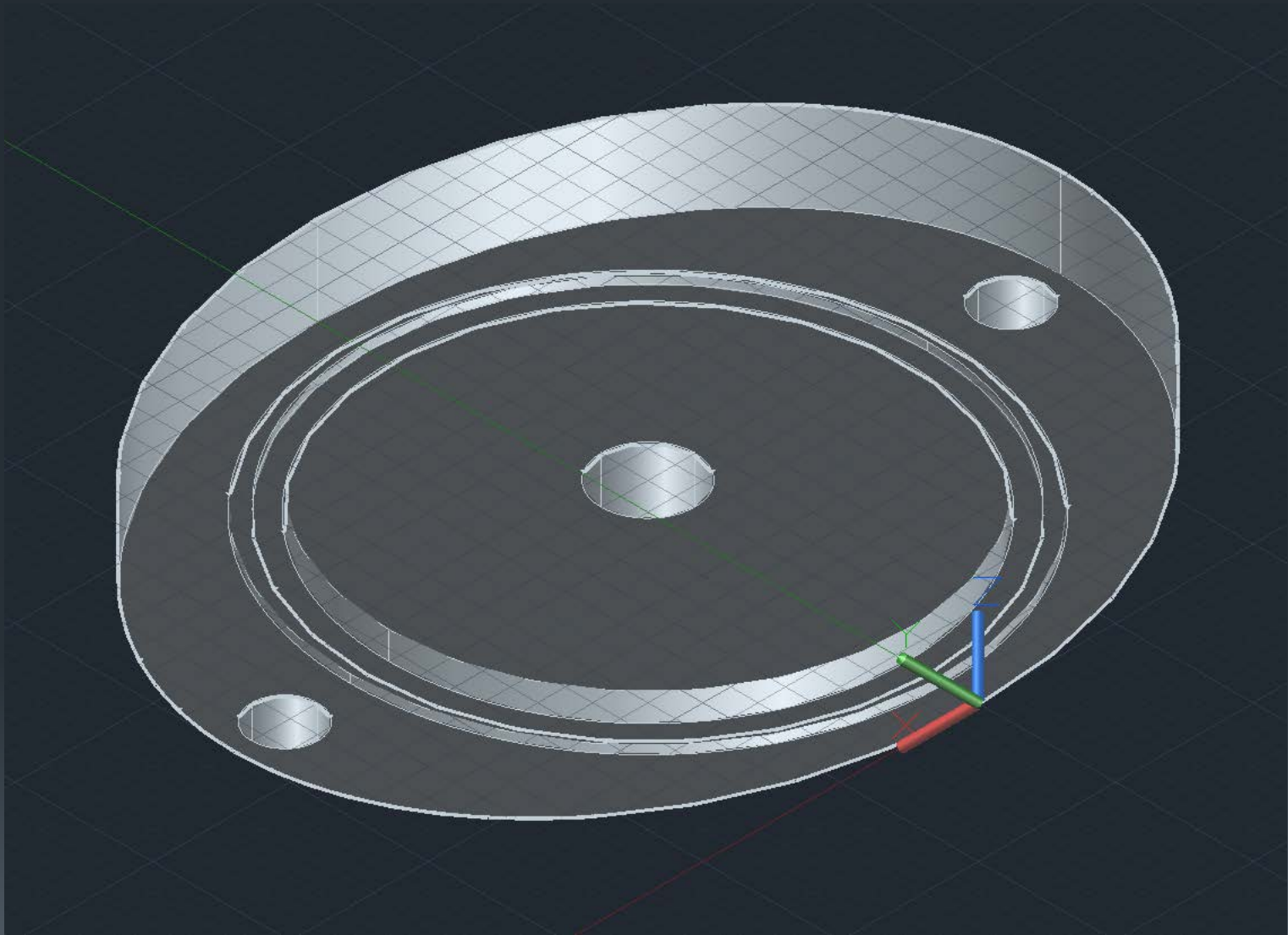
- Began reading...
 - Quickly ditched this method for YouTube videos
- Learned how to perform basic commands
- Learned how to construct simple shapes

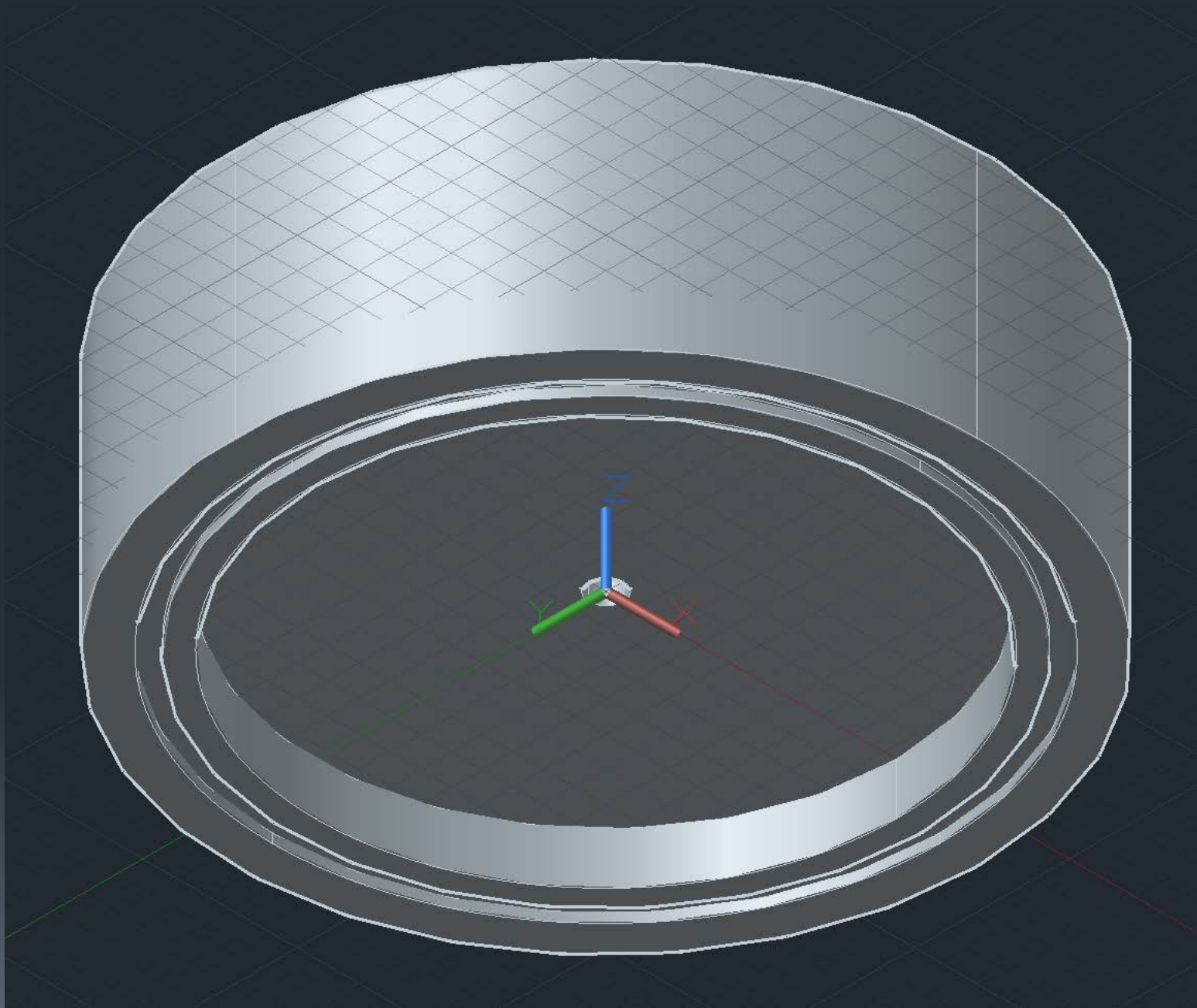
Preliminary Designs

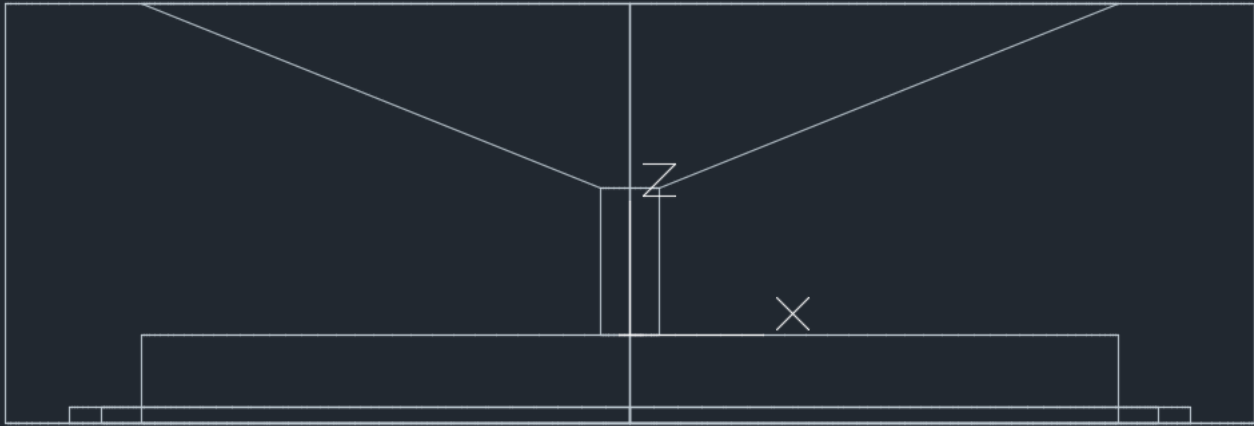






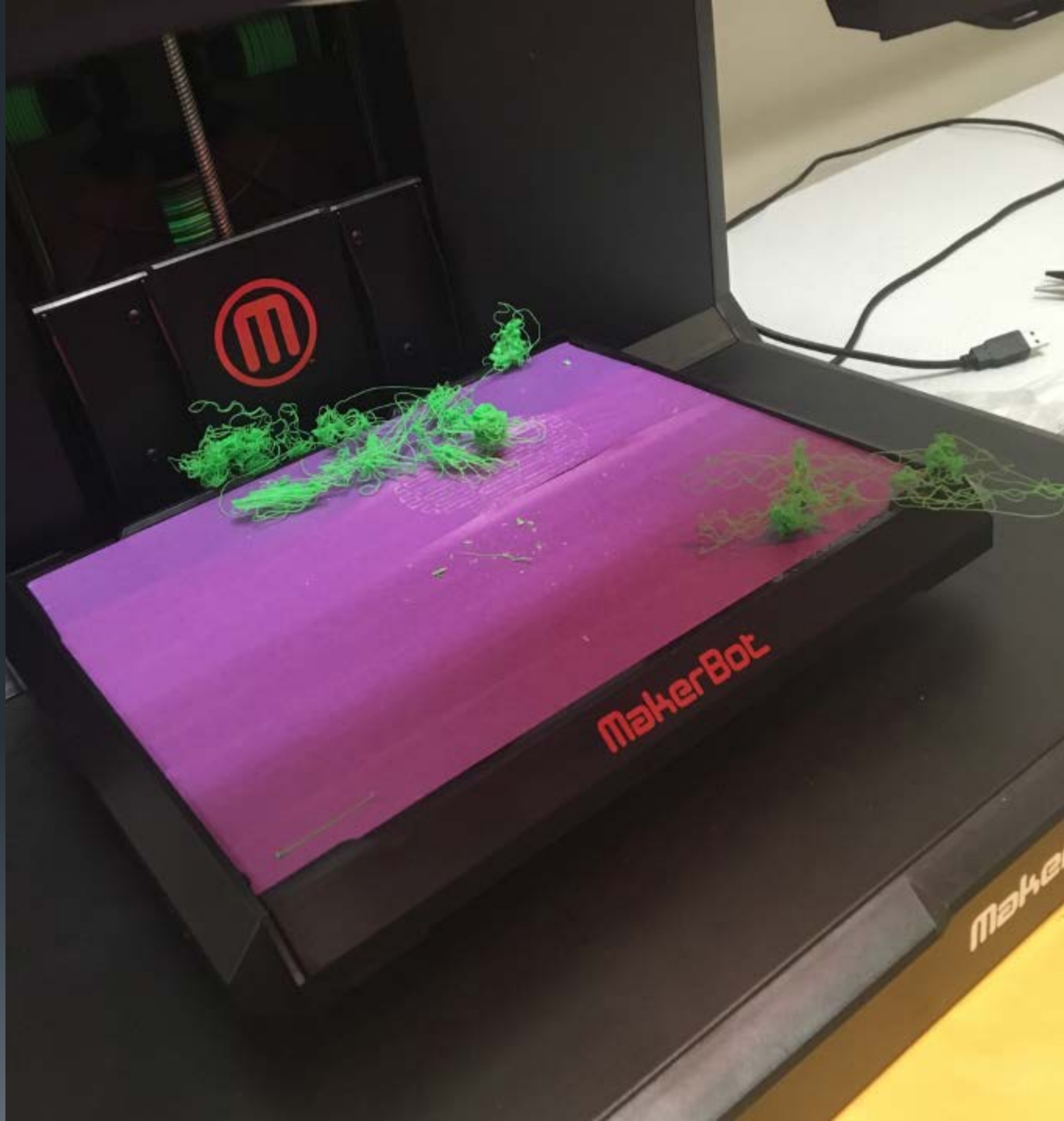












Printer Effectiveness

MakerBot Replicator

- FDM (Fused Deposition Molding)
- Plastic filament is heated and deposited layer-by-layer
- Builds bottom to top
- Resolution capability: 100 μ m



Printer Effectiveness

Formlabs Form 2

- SLA (Stereolithography)
- Utilizes a curable photopolymer (Typically a liquid resin) that is cured by applying focused light or UV light
- Builds top to bottom
- Resolution capability: 25 μ m





What Next?

- Print whole impactor
 - Either by attaining a new printer that can do it, or by outsourcing the production
- Characterize it
 - Utilize equipment at PNNL to test collection efficiency